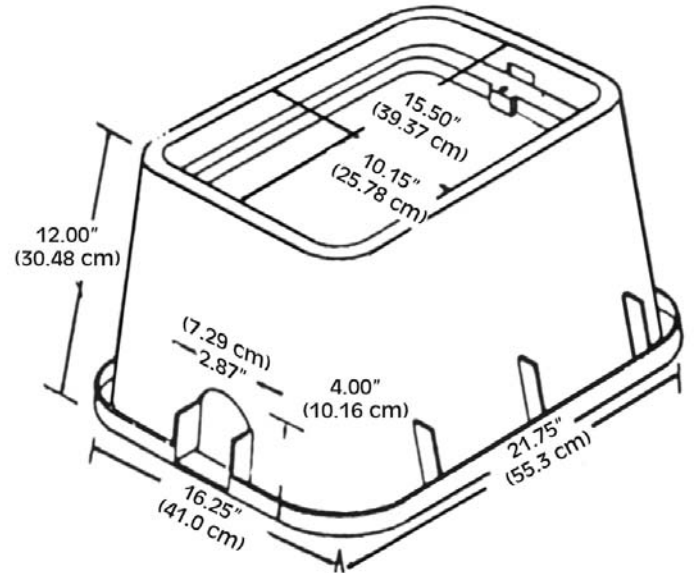
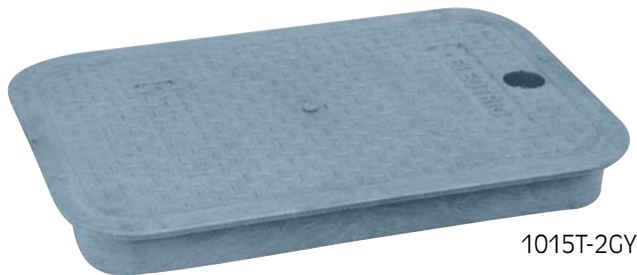
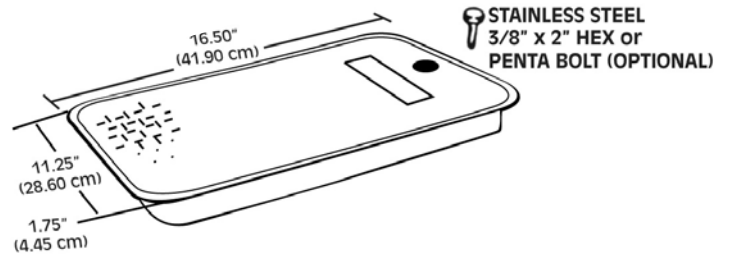


SERIES 1015 (12" HIGH) HEAVY DUTY VALVE BOX GRAY

- 60 PER PALLET
- BODY WITH "T" COVER 1015T-1GY2GY 9.97 LBS. 4.52 KG
- "T" COVER 1015T-2GY 2.24 LBS. 1.02 KG
- BODY 1015T-1GY 7.73 LBS. 3.50 KG



**SPECIAL
FEATURES**

- HEAVY DUTY CONSTRUCTION
- SINGLE OR NO PORT
- NESTABLE FOR STORAGE OR SHIPPING
- UV INHIBITOR TO PREVENT DISCOLORING & CRACKING
- MOLDED IN NYLON NUT FOR BOLT

STANDARD MARKINGS AVAILABLE (ELECTRIC)