

AZUD LUXON

AZUD LUXON LCA

Automatic hydraulic screen filters suitable for all applications, and available in a wide range of micron sizes, all with the same high quality guarantee of AZUD.



There are solutions available for working with pressures higher than 1 bar / 145 psi or saline water. Control unit is included.

ADVANTAGES

- ✓ **Energy Efficient:** The consumption of water in the flushing cycle is minimal.
- ✓ **Wide selection of screens:** Screens available from 80 to 1000 micron. (PVC or molded PP support).
- ✓ **Versatility:** Inlet/Outlet from 2" to 10" // 50-250 mm.
- ✓ **Resistance:** Temperatures to 60 °C (140 °F).
- ✓ **Large screen area:** Up to 7200 cm² (1116 in²).
- ✓ **Resistant material:** The screen is manufactured in high quality stainless steel.
- ✓ **Time saving:** The filtration process and the flushing cycle occur simultaneously.
- ✓ **Easy installation:** The filters are delivered to be installed.

TECHNOLOGY

AZUD LUXON filters continue to supply filtered water without interruption during the flushing cycle.

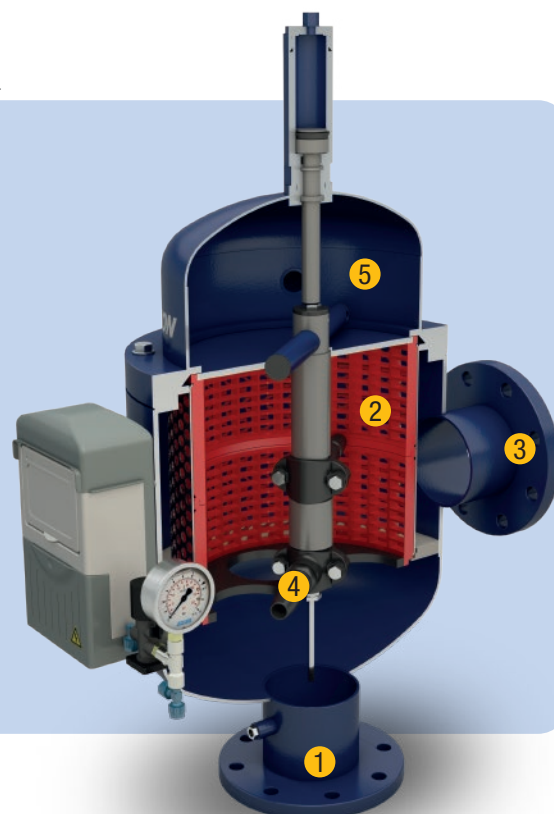
The water flows through the inlet (1) and enters the inside of the filter element.

The water then passes through the screen (2), and the particles are retained on the inside of the filter element (screen). The filtered water then flows out through the outlet (3).

When the pressure differential from inlet to

outlet of the filter reaches the pre-selected level the flushing cycle starts (ΔP). A hydraulic valve opens in the drain port, which initiates suction in the inner nozzles (4). This, along with the helical movement up and down the screen sucks the captured particles into the waste flow, and this is expelled out the drain port (5).

The length of the flush cycle is pre-determined by the control unit. When the cycle is complete the flush valve closes and the flushing ends. The flushing process uses a minimal amount of water.



AZUD LUXON

AZUD LUXON LCA

Model	Support of screen	DN CONNECTION				Filtration Surface	
		Inlet - Outlet Flange		Drainage Female - Thread		cm ²	in ²
		"	mm	"	mm		
AZUD LUXON LCA 900/2	PVC	2"	50	1"	32	910	140
AZUD LUXON LCA 900/3	PVC	3"	90	1"	32	910	140
AZUD LUXON LCA 1600/3	PVC	3"	90	1"	32	1600	250
AZUD LUXON LCA 1600/4	PVC	4"	110	1"	32	1600	250
AZUD LUXON LCA 2400 M/4	PP	4"	110	1"	32	2400	370
AZUD LUXON LCA 4800 M/4	PP	4"	110	1"	32	4800	745
AZUD LUXON LCA 4800 M/6	PP	6"	160	1"	32	4800	745

All models are with flange connections. DIN 2576
Ask for the rest of configurations in www.azud.com

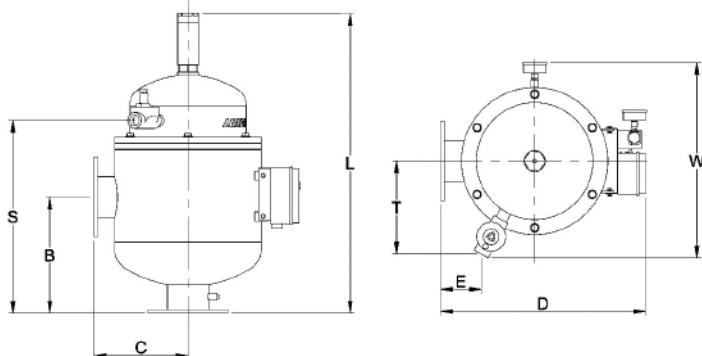
MATERIAL

Housing-Lid	Epoxy-Polyester coated carbon steel S-235-JR EPOXY-POLYESTER coated)
Filtration Element	Stainless Steel 316L screen PVC or molded PP support structure
Cleaning Mechanism	Stainless Steel AISI-304 scanner
Seals	NBR
Exhaust Valve	Reinforced Polypropylene

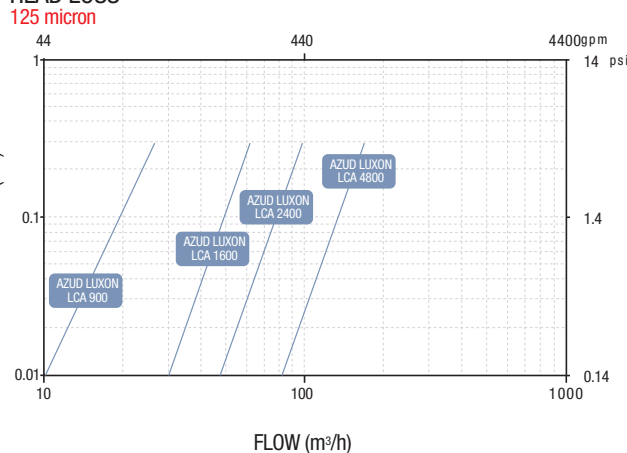
Battery or 220 V AC control unit included.
Max. Pressure 10 bar / 145 psi • Min. Pressure 2.5 bar / 36.3 psi
Max. Temperature 60 °C / 140 °F

Model	Support of screen	CONNECTION		FILTRATION				FLUSHING CYCLE				
		Inlet - Outlet Flange		Filtration Surface		Max. flow		Flow rate		Time	Volume	
		"	mm	cm ²	in ²	m ³ /h	gpm	l/s	gpm	s	l	g
AZUD LUXON LCA 900/2	PVC	2"	50	910	140	30	132	0.9	14	8	7.2	1.86
AZUD LUXON LCA 900/3	PVC	3"	90	910	140	42	185	0.9	14	8	7.2	1.86
AZUD LUXON LCA 1600/3	PVC	3"	90	1600	250	50	220	1.0	16	15	15	3.88
AZUD LUXON LCA 1600/4	PVC	4"	110	1600	250	75	330	1.0	16	15	15	3.88
AZUD LUXON LCA 2400 M/4	PP	4"	110	2400	370	90	396	1.0	16	19	19	4.91
AZUD LUXON LCA 4800 M/4	PP	4"	110	4800	745	170	748	1.8	28	19	34.2	8.84
AZUD LUXON LCA 4800 M/6	PP	6"	160	4800	745	170	748	1.8	28	22	39.6	10.25

The flow rate given by filter conditions the frequency of the flushing activation.
Maximum recommended flow rate: 125 micron and water good quality.
Min. flushing pressure: 2.5 bar / 36.3 psi in outlet manifold.
Ask for other filtration grades.



HEAD LOSS



Model	DIMENSIONS																WEIGHT			
	L		W		D		B		S		C		E		T		Full filter Weight		Empty filter Weight	
	mm	"	mm	"	mm	"	mm	"	mm	"	mm	"	mm	"	mm	"	kg	lb	kg	lb
AZUD LUXON LCA 900/2	620	24.4	545	21.5	540	21.2	240	9.4	372	14.6	240	9.4	65	2.6	303	11.9	110	242	35	77
AZUD LUXON LCA 900/3	620	24.4	545	21.5	540	21.2	240	9.4	372	14.6	240	9.4	65	2.6	303	11.9	110	242	35	77
AZUD LUXON LCA 1600/3	775	30.5	540	21.2	540	21.2	303	11.9	467	18.4	240	9.4	65	2.6	303	11.9	136	299	45	99
AZUD LUXON LCA 1600/4	775	30.5	540	21.2	540	21.2	303	11.9	467	18.4	240	9.4	65	2.6	303	11.9	136	299	45	99
AZUD LUXON LCA 2400 M/4	870	34	585	23	610	24	350	14	562	22	290	11.4	116	4.6	302	12	173	381	60	132
AZUD LUXON LCA 4800 M/4	1145	45.1	685	27	610	24	500	19.7	880	34.6	290	11.4	62	2.4	395	15.5	252	556	81	179
AZUD LUXON LCA 4800 M/6	1145	45.1	685	27	610	24	500	19.7	880	34.6	290	11.4	62	2.4	395	15.5	252	556	81	179

All models are with flange connections. DIN 2576
Ask for the rest of configurations in www.azud.com