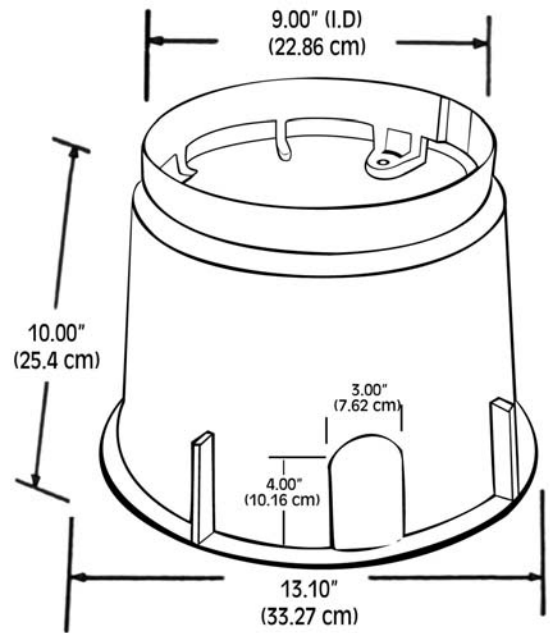
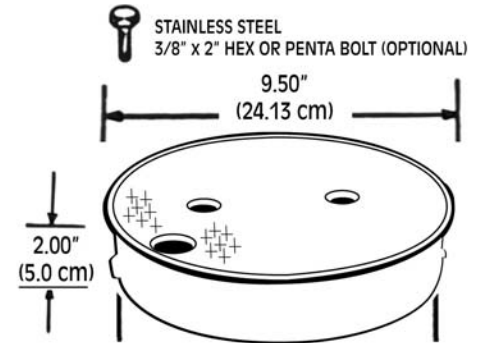


**SERIES 910L (10" ROUND) TAN**

■ 90 PER PALLET				
■ BODY & COVER	910L-1T2T	3.84 LBS.	1.74 KG	
■ BODY	910L-1T	2.59 LBS.	1.17 KG	
■ COVER	910L-2T	1.25 LBS.	.57 KG	



**SPECIAL FEATURES**

- TWIST LOCK COVER
- STRONGER LOAD STRENGTH
- UV INHIBITORS TO PREVENT DISCOLORATION & CRACKING
- MOLDED IN NYLON NUT FOR BOLT
- HEAVY DUTY CONSTRUCTION

**STANDARD MARKINGS AVAILABLE (IRRIGATION CONTROL VALVE)**